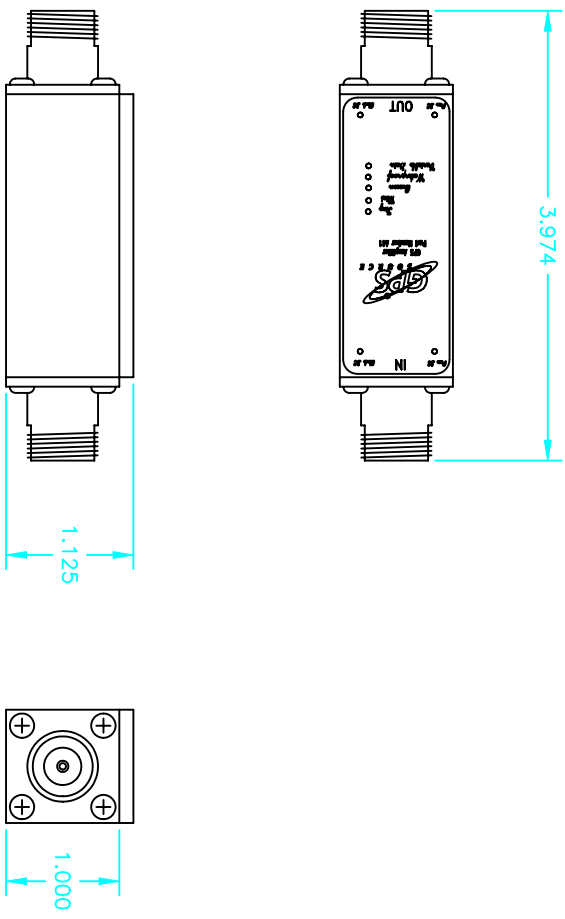


REV	DESCRIPTION	ECO	BY	DATE
001				
002				
003				
004				
005				
006				
007				
008				
009				

- NOTES:
1. REMOVE ALL BURRS AND SHARP EDGES.
 2. MATERIAL: 6061-T6 ALUMINUM
 3. FINISH: ELECTROLESS NICKEL PLATED MIL-C-26074C, CLASS 1, .00028-.00032 MAX. THICKNESS.



GPS Source

DRAWN: P. COINER/22 APR 02		TITLE: HOUSING, 1X1 MINI ASSEMBLY	
CHECKED:		SIZE: DWG NO. A11M-NF-001.dwg	
PROJ. ENG:		REV: 001	
APPD:		SCALE: 1/1	
FINISH:		SHEET: 1 OF 1	

THIRD ANGLE PROJECTION

TOLENCANCES:
 .XX
 .XXX
 .XXXX
 .0005
 .0005
 .0005
 .0005

DAI CONCENTRIC WITHIN .005
 TOTAL IMPACTION RADIUS
 SURFACE 20 ON BETTEN
 DIMENSIONAL LIMITS APPLY TO FINISHED PART.

8 7 6 5 4 3 2 1

8 7 6 5 4 3 2 1