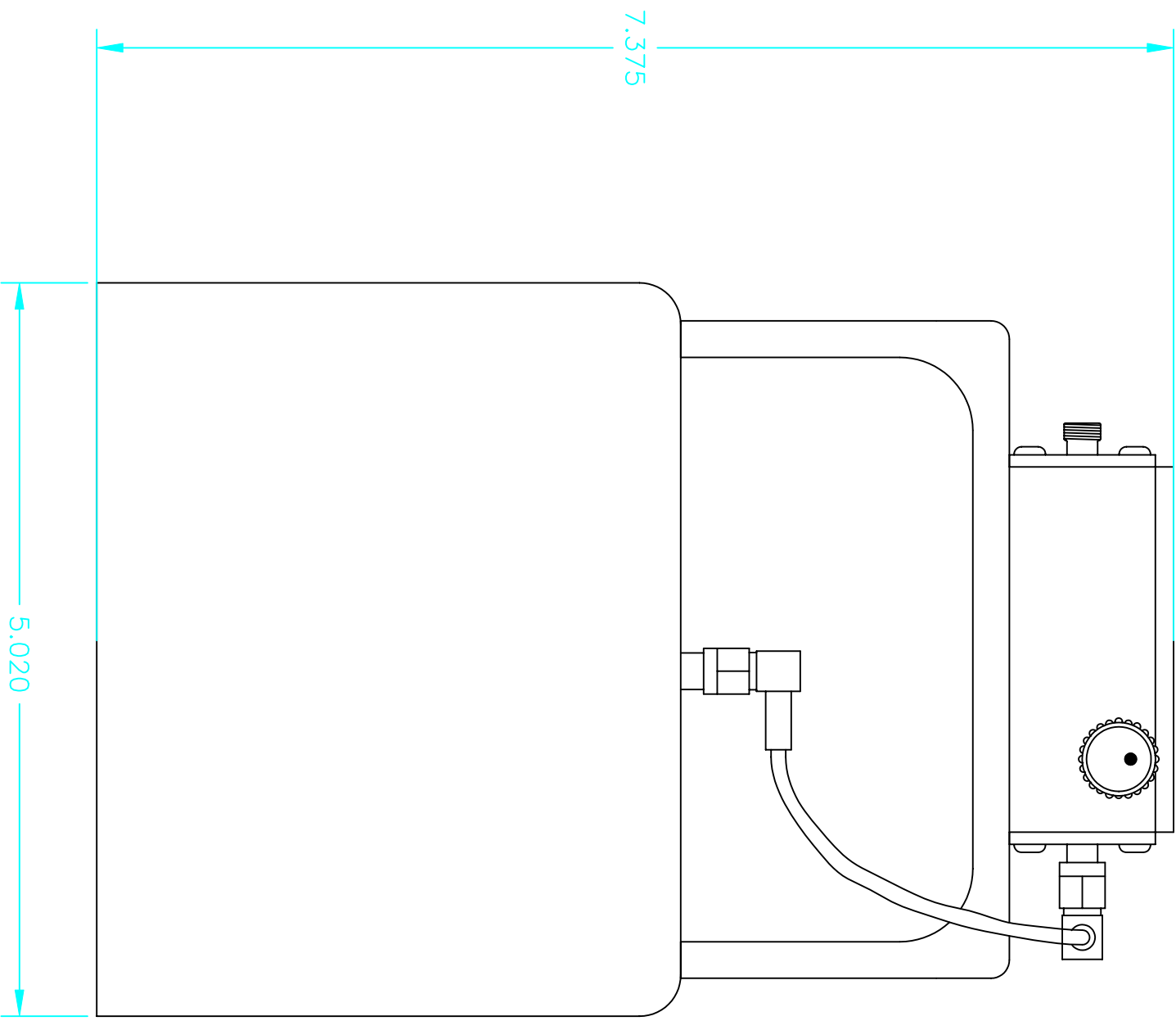


- NOTES:
- XXXXXXXXXXXXXXXXXXXXXXXXXXXX
 - XXXXXXXXXXXXXXXXXXXXXXXXXXXX
 - XXXXXXXXXXXXXXXXXXXXXXXXXXXX



SIDE VIEW

REV	DESCRIPTION	ECO	BY	DATE
002	-	-		
003	-	-		
004	-	-		
005	-	-		
006	-	-		
007	-	-		
008	-	-		
009	-	-		

FINISH:	
MATERIAL:	
NEXT ASSEMBLY	USED ON

THIRD ANGLE PROJECTION	
DIMENSIONS ARE IN INCHES.	
TOLERANCES:	
.XX	= ± .01
.XXX	= ± .005
.XXXX	= ± .0005
ANGULAR	= ± 1°
DIA CONCENTRIC WITHIN .005	
TOTAL INDICATOR RUNOUT.	
SURFACE 32 OR BETTER.	
DIMENSIONAL LIMITS APPLY TO FINISHED PART.	

DRAWN P. COINER		22 AUG 02	
CHECKED			
PROU ENG			
APPD			

GPS Source		TITLE	
GPS HAT SIDE VIEW		GPS HAT SIDE VIEW	
SIZE	DWG. NO.	REV	
B	gps_Hat_Assembly_Side_View_001.dwg	001	
SCALE: 1/1	SHEET 1 OF 1		