

1

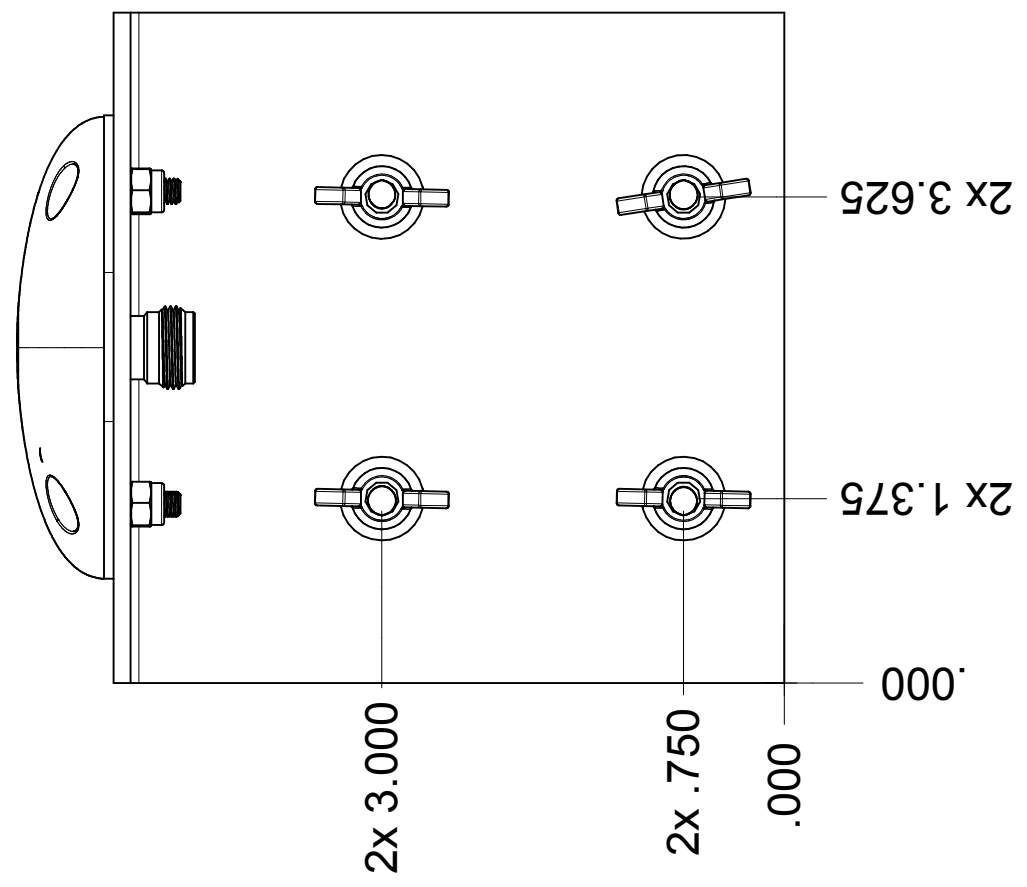
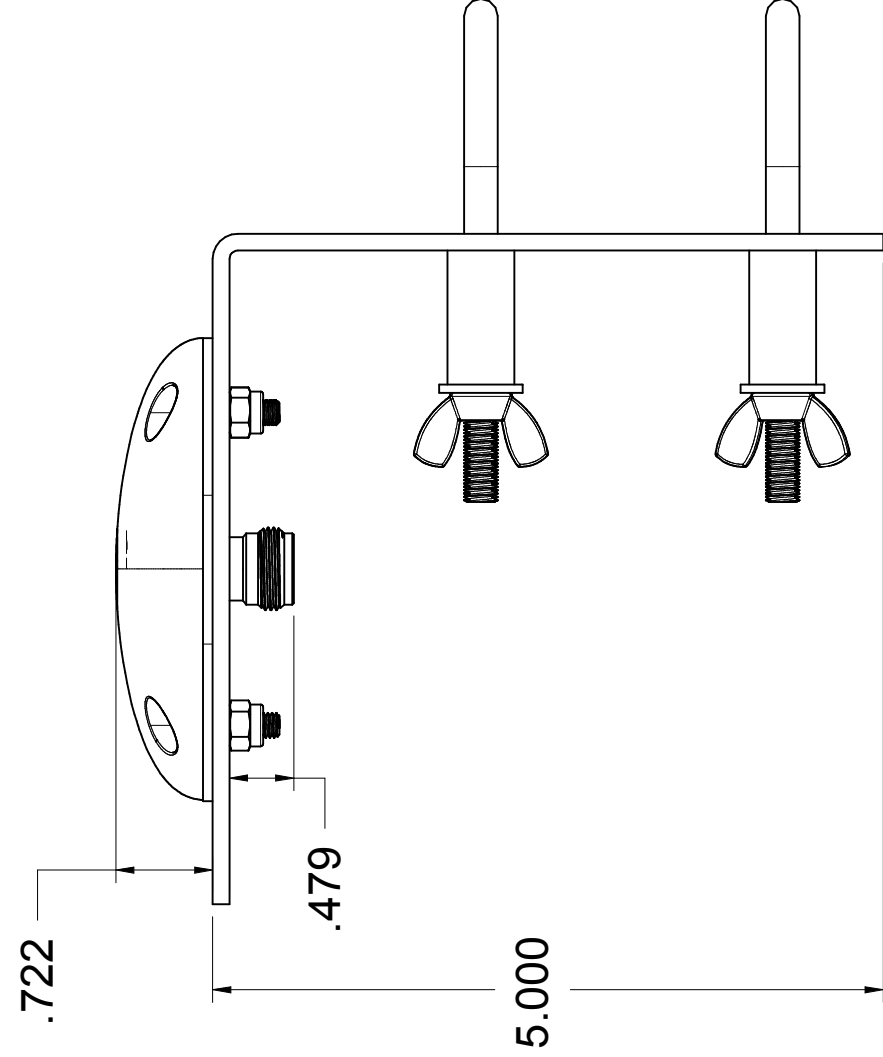
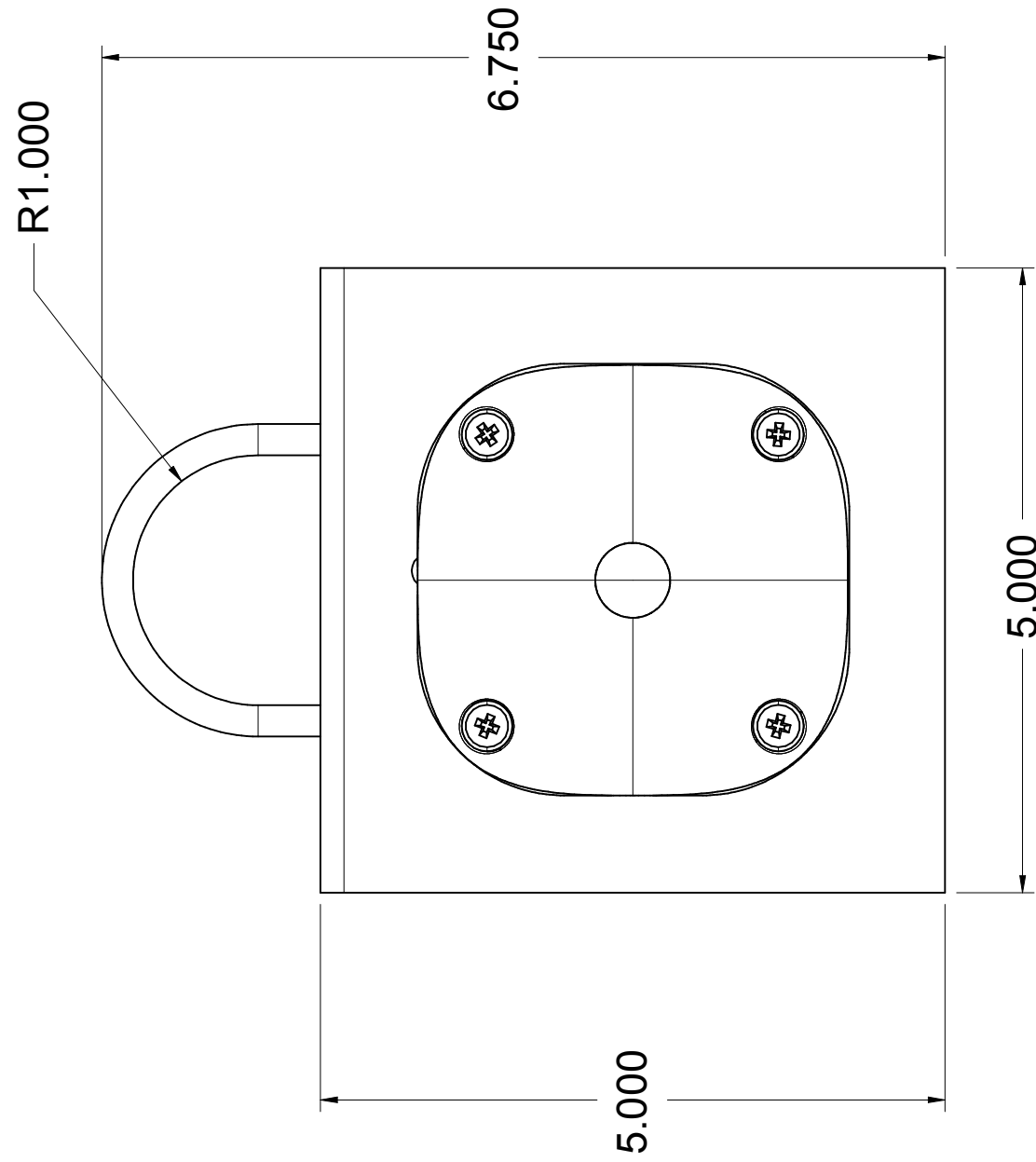
2

3

4

REVISIONS			
ZONE	REV	DESCRIPTION	DATE

NOTE:
1. THE MAX POLE DIAMETER FOR MOUNTING IS 2 INCHES.



ALL MATERIALS AND FINISHES SHALL COMPLY WITH EUROPEAN UNION RESTRICTION OF HAZARDOUS SUBSTANCES. (RoHS)

GPS SOURCE PART NUMBER FAN-MAQ-XCXRZ		GPS SOURCE PART NUMBER 031-FAN-MAQ-XCXRZ	
TOLERANCES UNLESS OTHERWISE SPECIFIED LINEAR = ±.01 XX = ±.01 XXX = ±.005 XXXX = ±.0005	TOLERANCES UNLESS OTHERWISE SPECIFIED ANGULAR = ± 1° RADII SEE LINEAR	MATERIAL TBD FINISH NONE	COMPANY NAME GPS Source
DRAWN Thomas Taroya CHECKED QA	DATE 11 SEP 1, 07 DATE DATE	MFG APPROVED	DESCRIPTION FAN L1 ACTIVE ANTENNA W/POLE MOUNT ASSY SIZE C 3RD ANGLE PROJECTION SCALE 1 / 1.5 MASS SHEET 1 OF 1
THE INFORMATION CONTAINED IN THIS DESIGN SET IS THE SOLE PROPERTY OF GPS SOURCE. USE OF THIS DESIGN IS RESERVED EXCLUSIVELY FOR SAID COMPANY. REPRODUCTION OR DISTRIBUTION OF ANY PORTION OF THIS DESIGN IS FORBIDDEN WITHOUT THE EXPRESS WRITTEN CONSENT OF GPS SOURCE. UNLESS OTHERWISE SPECIFIED DIMENSIONS ARE IN INCHES IAW ASME Y14.5M-1994		REV 001A	

1

2

3

4