

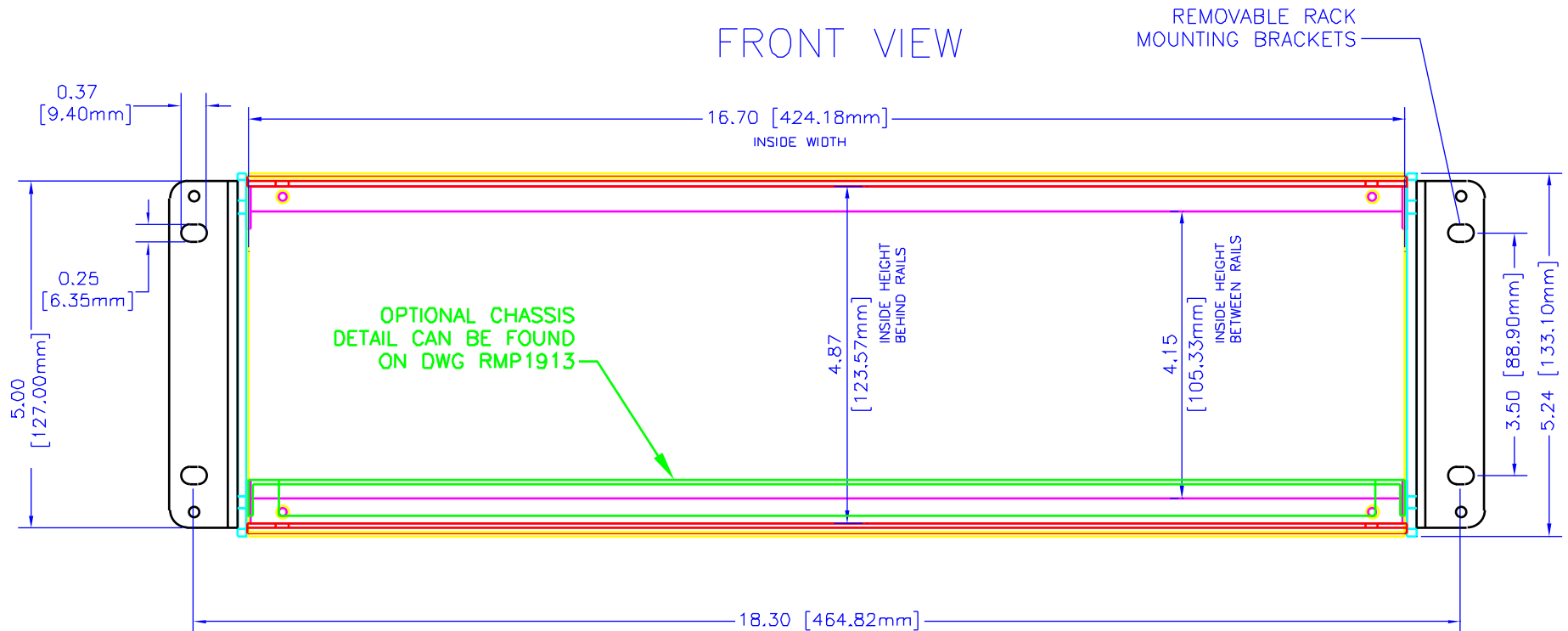
REV	DESCRIPTION	DATE
A	CORRECTED RACK MOUNT BRACKET DETAIL	10/17/01

NOTES

MATERIAL TOP & BOTTOM 0.062" STEEL, SIDES, FRONT, REAR & HORIZONTAL SUPPORTS 0.125" ALUMINUM, DIMENSIONS ARE TAKEN WITH THE PAINTED SURFACE

FINISH TOP, BOTTOM & SIDE PANELS, TEXTURED BLACK, FRONT/REAR PANELS ON SMOOTH BLACK, ONE CONTEMPRA GRAY (RAL 7032), ALL POWDER PAINT,

FRONT VIEW



UNLESS OTHERWISE SPECIFIED
DIMENSIONS ARE IN INCHES

F +/- .1
XX +/- .02
XXX +/- .015
ZITE +/- .005
ANGLES +/- .5 DEG.

NOTE:
DRAWING GRABBER PROPRIETARY RIGHTS TO THE MATERIAL OR THIS DRAWING, IT IS INTENDED TO BE USED AS A REFERENCE FOR ENGINEERING INFORMATION ONLY. THIS INFORMATION MAY NOT BE USED TO MANUFACTURE PRODUCT WITHOUT WRITTEN PERMISSION FROM HAMMOND MANUFACTURING.



**HAMMOND
MANUFACTURING**

WEB: WWW.HAMMONDMFG.COM

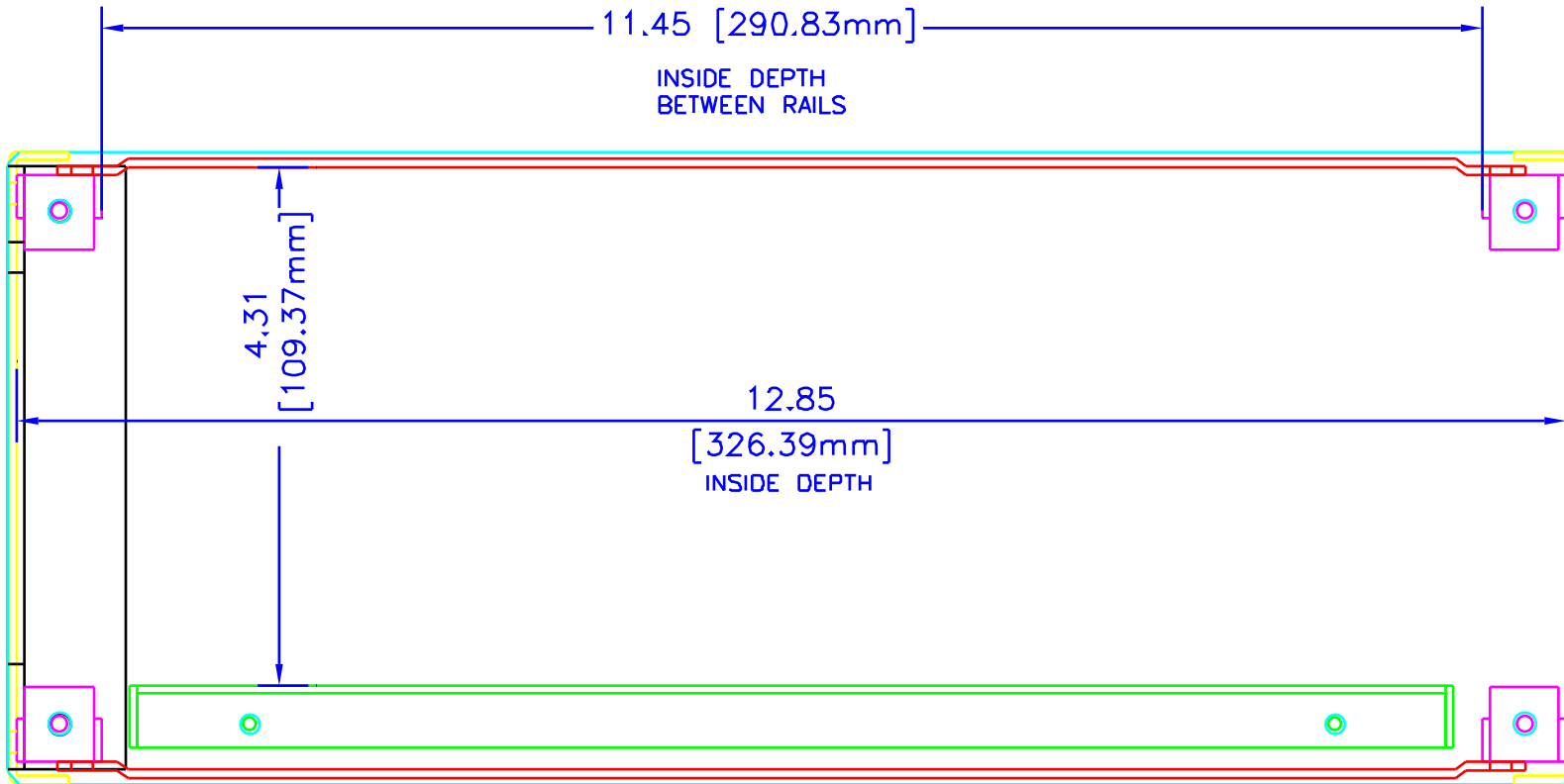
TITLE HAMMOND RMCS SERIES
RACK ENCLOSURE

DRAWN BY MJM DATE 09/9/01

SCALE PAGE 1 OF 3

PART NUMBER
RMCS190513

SIDE VIEW



UNLESS OTHERWISE SPECIFIED
DIMENSIONS ARE IN INCHES

F +/- .1
M +/- .05
S +/- .015
DPS +/- .005
ANGLES +/- .5 DEG

NOTES

1. ALL DIMENSIONS ARE TO CENTER UNLESS OTHERWISE SPECIFIED

2. DIMENSIONS ARE TO CENTER UNLESS OTHERWISE SPECIFIED

3. DIMENSIONS ARE TO CENTER UNLESS OTHERWISE SPECIFIED

4. DIMENSIONS ARE TO CENTER UNLESS OTHERWISE SPECIFIED

5. DIMENSIONS ARE TO CENTER UNLESS OTHERWISE SPECIFIED



**HAMMOND
MANUFACTURING**

WEB: WWW.HAMMONDMFG.COM

TITLE
HAMMOND RMCS SERIES
RACK ENCLOSURE

DRAWN BY MJM **DATE** 09/9/01

SCALE **PAGE** 2 OF 3

PRINT NUMBER
RMCS190513

TOP VIEW



UNLESS OTHERWISE SPECIFIED
DIMENSIONS ARE IN INCHES

X	+/- .1
XX	+/- .02
XXX	+/- .015
CUTS	+/- .003
ANGLES	+/- .5 DEG

NOTES
HAMMOND CLAIMS PROPRIETARY RIGHTS TO THE MATERIAL ON THIS DRAWING. IT IS INTENDED TO BE USED AS A REFERENCE FOR ENGINEERING INFORMATION ONLY. THIS INFORMATION MAY NOT BE USED TO MANUFACTURE PRODUCT WITHOUT EXPRESS PERMISSION FROM HAMMOND MANUFACTURING.



**HAMMOND
MANUFACTURING**

WEB: WWW.HAMMONDMFG.COM

TITLE	
HAMMOND RMCS SERIES RACK ENCLOSURE	
DRAWN BY	MJM
DATE	09/9/01
SCALE	PAGE 3 OF 3
PART NUMBER	RMCS190513