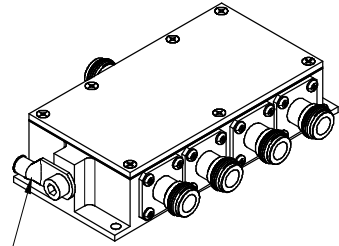


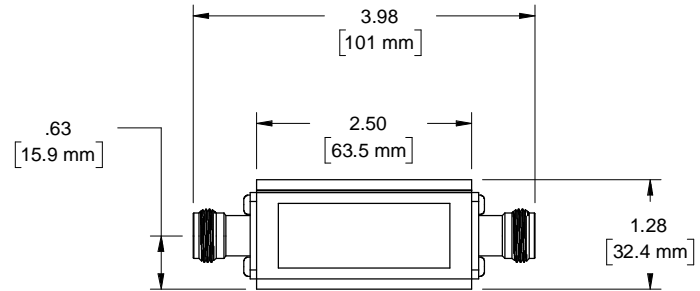
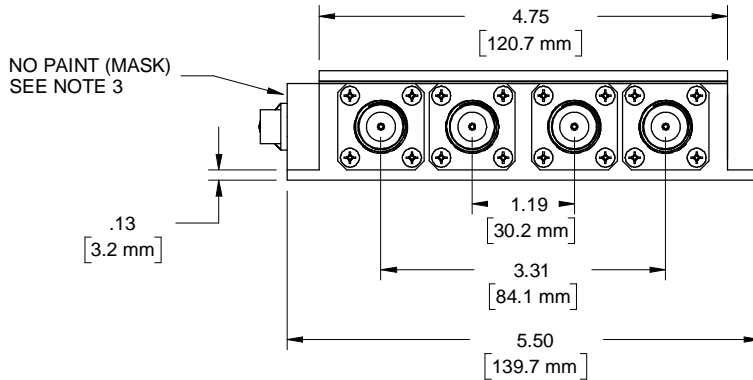
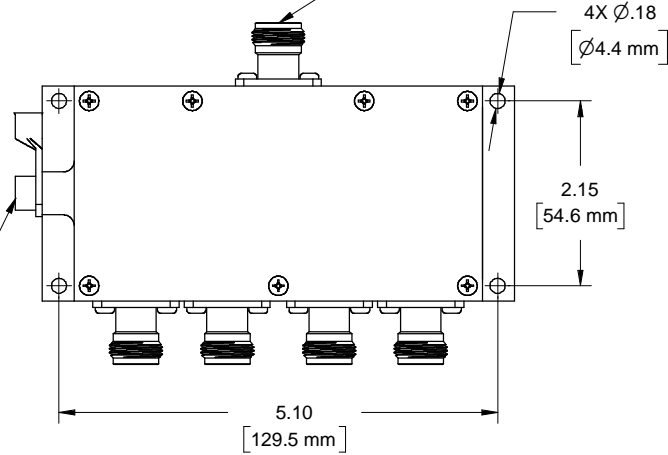
REVISIONS				
ZONE	REV	DESCRIPTION	DATE	APPROVED
	002	ADDED LABEL	11JULY2006	RH



GROUND LUG SHOWN FOR ILLUSTRATION
NOT INCLUDED IN SHIPPED ASM

NO PAINT (MASK) -- ALL 5 CONNECTORS
SEE NOTE 3

M6x1.0 SOCKET HEAD
CAP SCREW (5mm HEX)
USE FOR GROUND LUG
ATTACHMENT

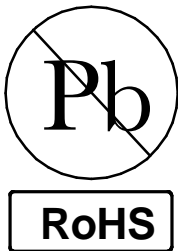


NOTES:

- ANY CHANGES IN DESIGN, COMPOSITION, OR PROCESSING FROM APPROVED PRODUCTION SAMPLE PARTS REQUIRE COMPANY ENGINEERING APPROVAL PRIOR TO CHANGE IMPLEMENTATION.
- PAINT SPECIFICATION: SHERWIN WILLIAMS POLANE T F63TXA1415 - 4386 WITH EXTERIOR CATALYST V66V26 6:1
- PAINT MASKING AREAS:
NO PAINT ON CONNECTOR THREADED PORTIONS NOR ON CONNECTOR INSIDES.
NO PAINT ON HOUSING FACE FOR GROUND LUG SURFACE.

FSA S14WI AMPLFD W/SRG SPPRSSN W/DC BIAS SEL W/ANTENNA MNTR	FSA-ABQ-AAS-AGZ	DIFFERENCE
FSA S14WI PASSIVE W/SRG SPPRSSN W/DC BIAS SEL W/ANTENNA MNTR	FSA-AAQ-AAS-AGZ	
ASM DESCRIPTION	ASM PART NUMBER	

ALL MATERIALS AND FINISHES SHALL COMPLY WITH EUROPEAN UNION RESTRICTION OF HAZARDOUS SUBSTANCES. (RoHS)



DRAWN JWK	DATE 27JUNE2006
CHECKED PWC	
APPROVED	

THE INFORMATION CONTAINED IN THIS DESIGN SET IS THE SOLE PROPERTY OF GPS SOURCE. USE OF THIS DESIGN IS RESERVED EXCLUSIVELY FOR SAID COMPANY. REPRODUCTION OR DISTRIBUTION OF ANY PORTION OF DESIGN IS FORBIDDEN WITHOUT THE EXPRESS WRITTEN CONSENT OF GPS SOURCE TITLE			
SIZE A	 3RD ANGLE PROJECTION	FSA S14WI DWG FILE NAME 031-FSA-AAQ-AAS-AGZ	REV 002
SCALE 1/2	GPS SOURCE PART NUMBER SEE TABLE		SHEET 1 OF 1